

# Data Sheet

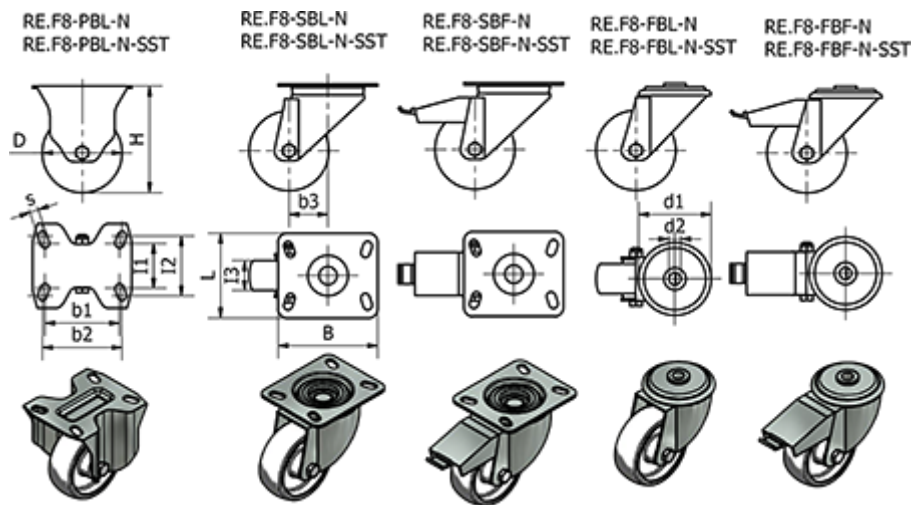


Article number: 2314450699

Description: E+G polyamide wheel

RE.F8-150-FBF-N - Turning plate w/brake in Zinc-plated steel

## Measures



= -	d2	= 20	Rolling resistance (N) = 2500
B =	Dynamic carrying capacity (N) = 3000		s =
b1 =	H	= 188	Type = RE.F8-150-FBF-N
b2 =	I1	=	Wight (g) = 1860
b3 = 56	I2	=	
Code = 450699	I3	= 45	
D = 150	L	=	
d1 = 102	R	= 156	